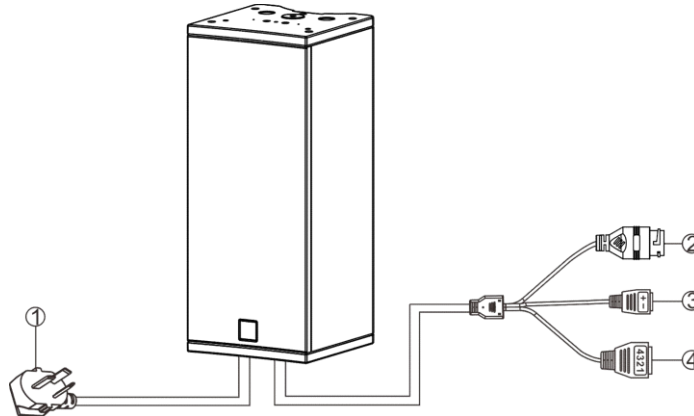


XonTel XT-21 SIP speaker Quick Installation Guide

Interface introduction



① Power plug

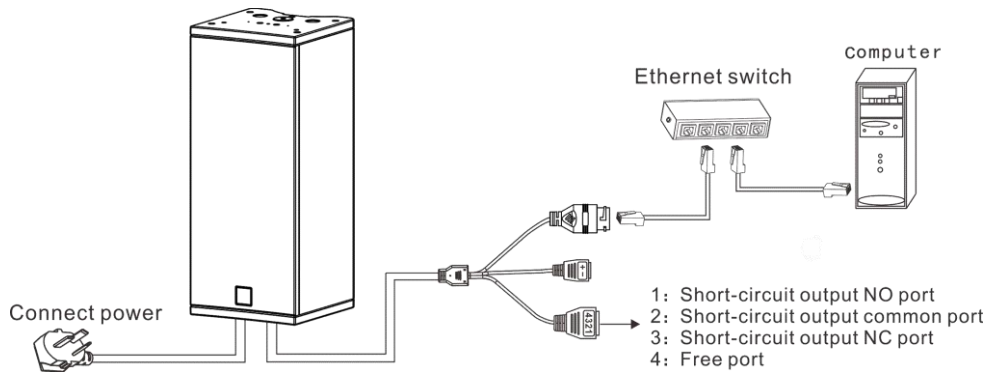
② Network interface: connect to network

③ Short-circuit input interface: when the short-circuit interface is triggered, the speaker automatically plays audio files under the alarm in catalog of FTP.

④ Short-circuit output interface:

1: Short-circuit output NO port; 2: Short-circuit output common port; 3: Short-circuit output NC port; 4: Free port.

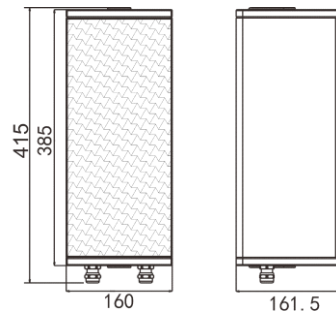
Connection diagram



Configuring IP network waterproof column Mandatory configuring network parameters

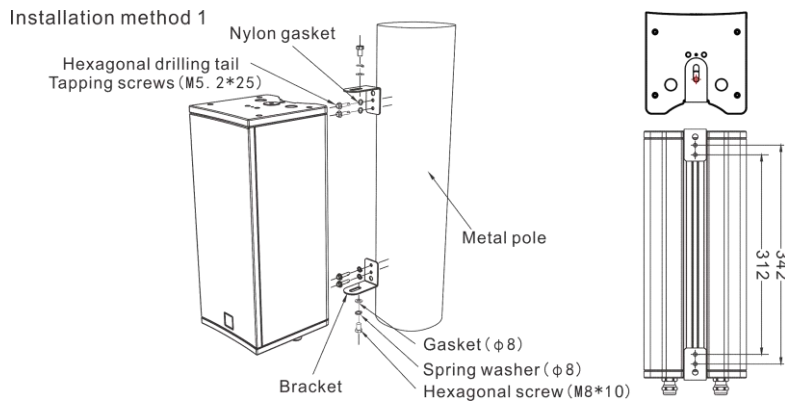
- 1- Connecting the PC to terminal with cable, then run XT-21 speaker IP configuration tool "**Devconfigtool.exe**", after starting, input the default password "**123456**".
- 2- Please select the [**mandatory config**] from the right menu, then filling each correct parameters in the [**Terminal parameter**]. It will be finished IP parameter configuration once pressed "**sending parameters**".

Appearance installation dimension (unit: mm)



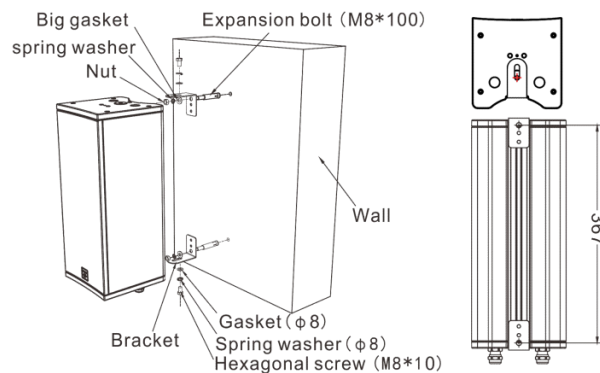
Installation diagram

Installation method 1



- 1- Using hexagonal drilling tail tapping screws (M5.2*25 4PCS) with nylon gasket (screw prepared by yourself) to fix 2 brackets (as the hole distance showed in the above picture) on metal pole (light pole, control rod, and so on);
- 2- Using hexagonal screw (M8*10) 2pcs, spring washer (φ8) 2pcs, gasket (φ8) 2pcs to fix column speaker on the middle of 2 brackets.

Installation Method 2



Note: the suggestion is that it should be an angle between the column speaker and the ground when using this way for installation.

Note: please refer to the user manual for more detailed information.